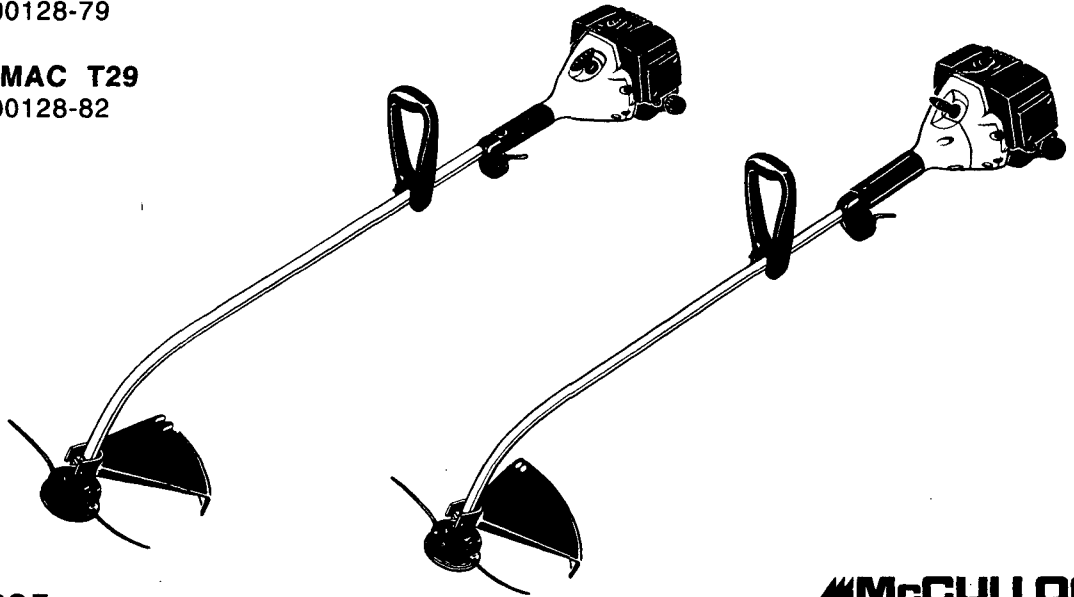


EUROMAC T28
12400128-79

EUROMAC T29
12400128-82

P/N 211555/E



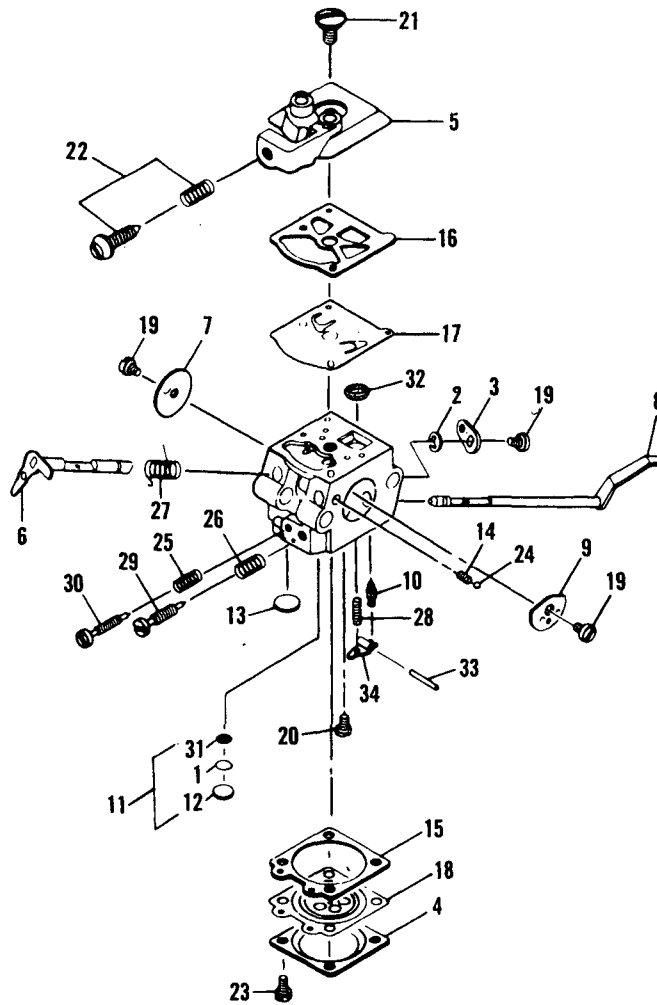
APRIL 1995

McCULLOCH

224033-02 WALBRO WT231A

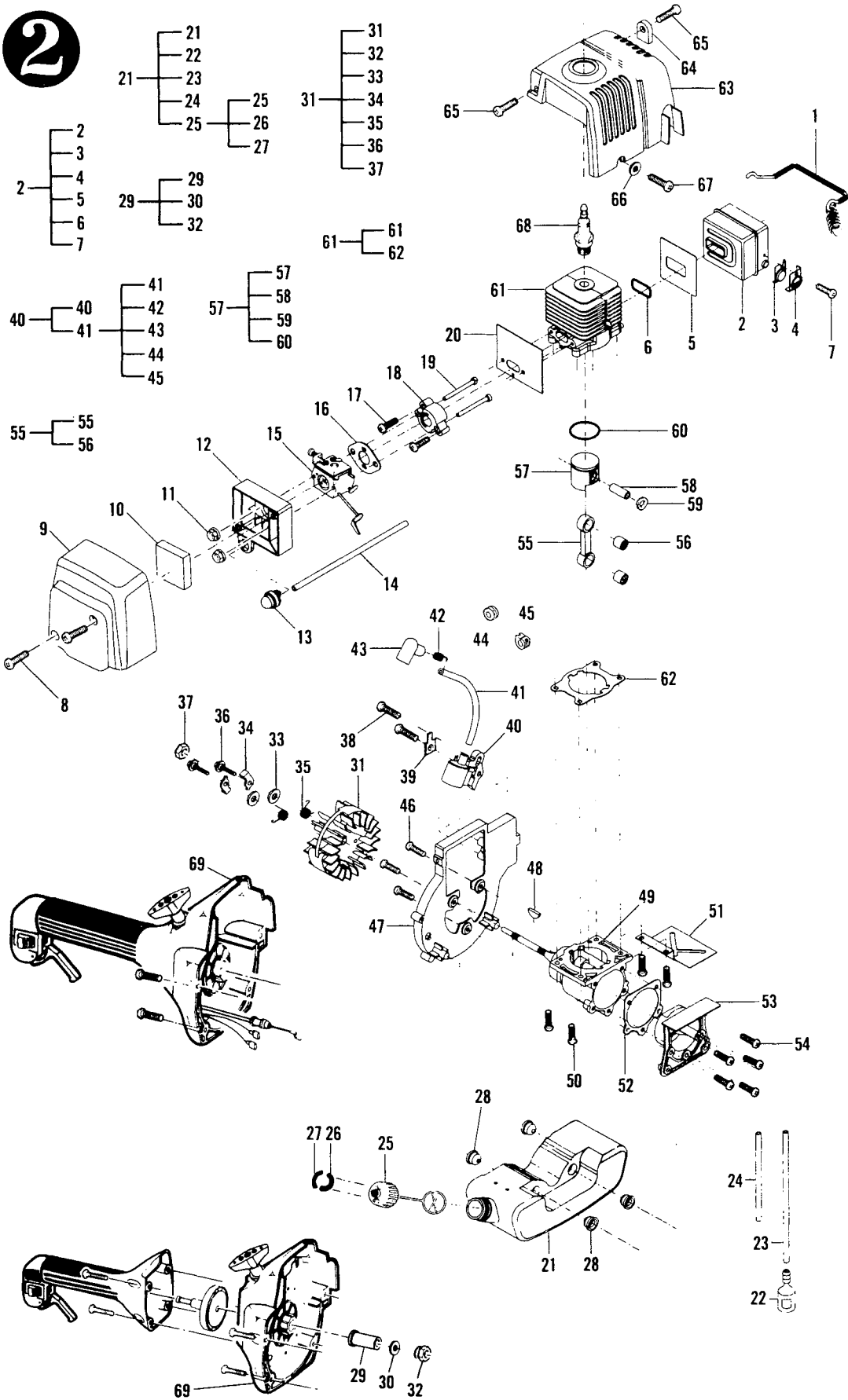
1	①	1
2		1
3		1
4		1
5	300072	1
6		1
7		1
8	③	1
9	③	1
10	①	1
11		1
12	①	1
13		1
14	③	1
15	① ②	1
16	① ②	1
17	① ②	1
18	① ②	1
19	① ③	3
20	①	1
21		1
22		1
23	①	4
24	③	1
25	①	1
26	①	1
27	①	1
28	①	1
29	①	1
30	①	1
31	①	1
32	①	1
33	①	1
34	①	1

① 300457
② 300460
③ 322363



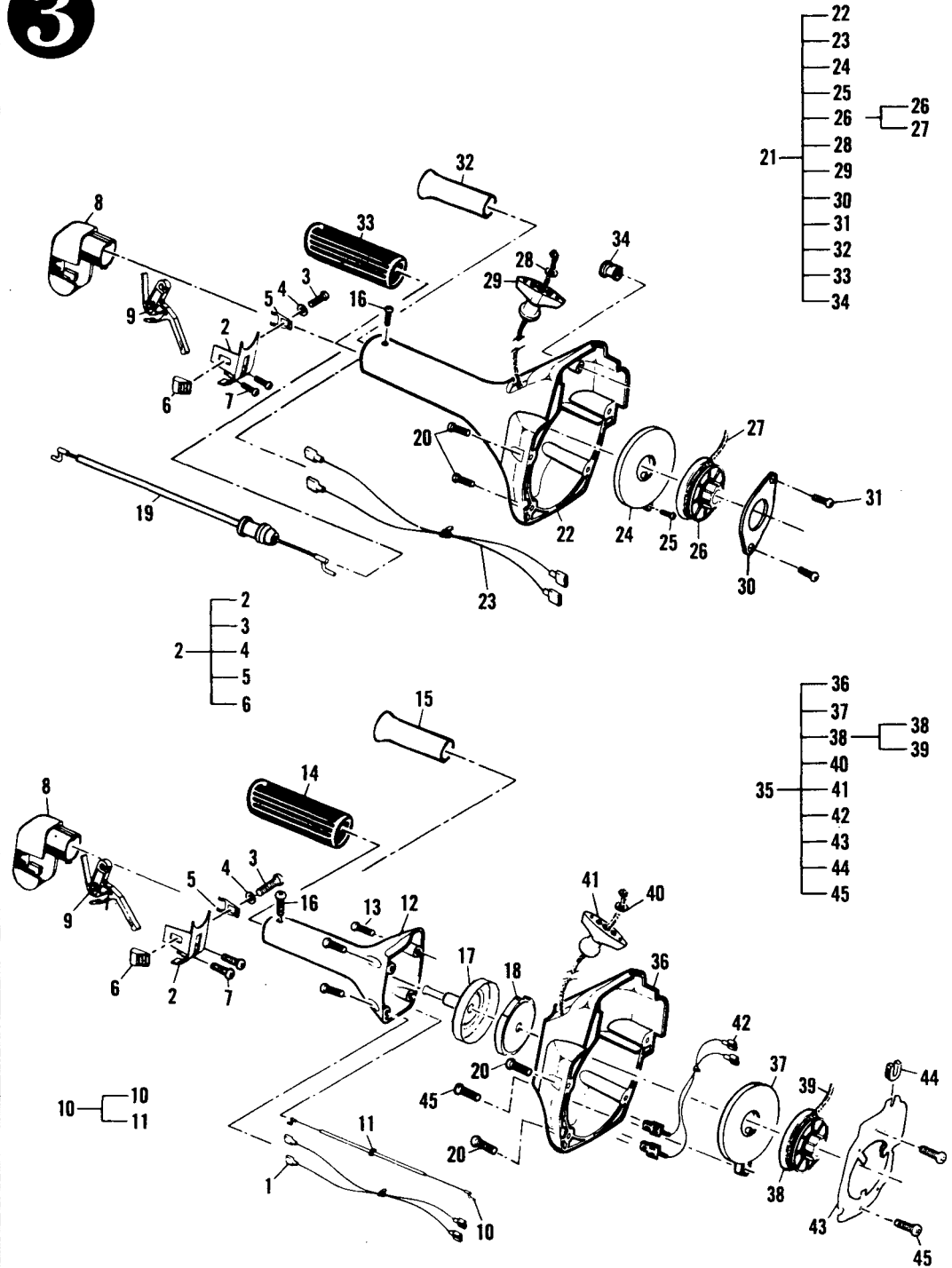
1

2



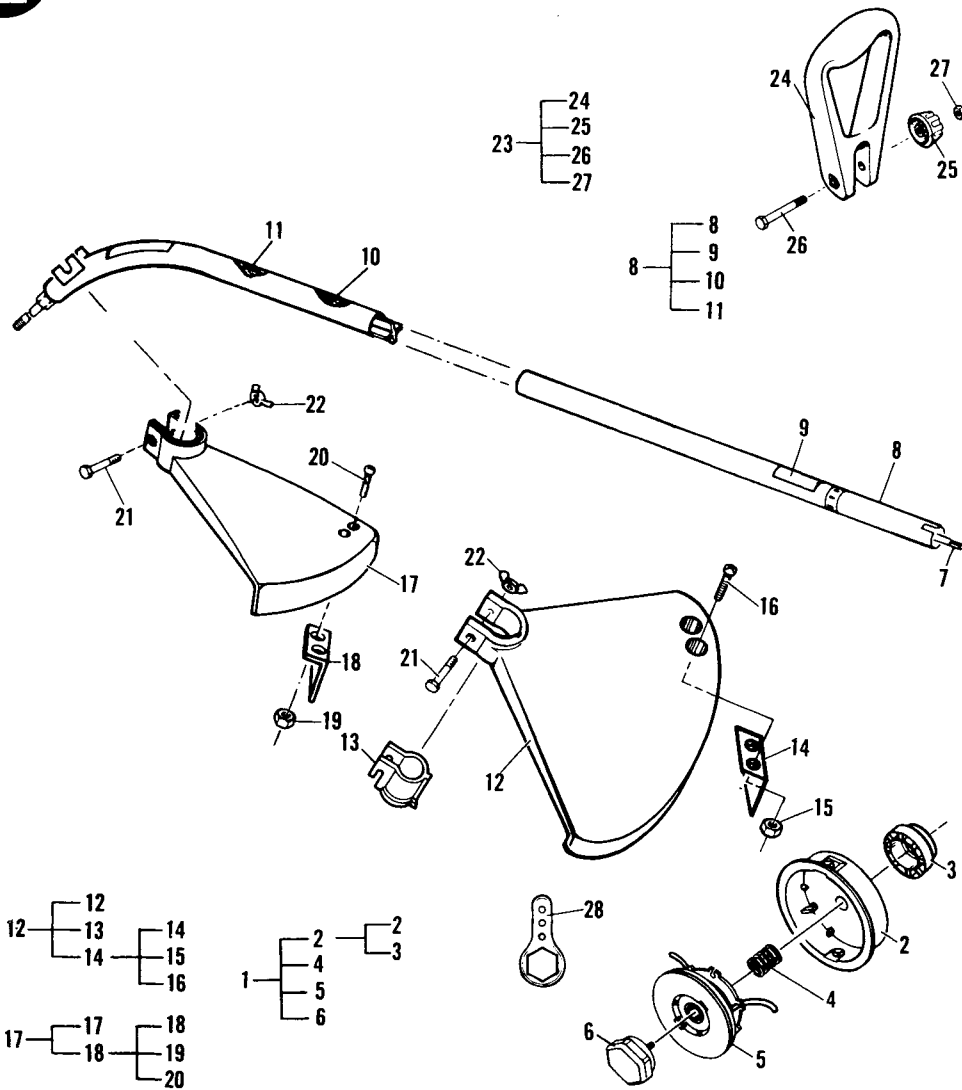
1	224044	1
2	300628	1
3	224040	1
4	322032	1
5	224228	1
6	224922	1
7	111072	1
8	111055	2
9	224236	1
10	224239	1
11	111058	2
12	224238	1
13	224242-01	1
14	225163	1
15	FIGURE 1	1
16	218933	1
17	111053	2
18	224041	1
19	111057	2
20	322031	1
21	300871	1
22	216985	1
23	225162	1
24	225163	1
25	300700	1
26	211242	1
27	322250	1
28	322105	4
29	② 301114	1
30	322844	1
	322847	1
31	300827-01	1
32	② 322847	1
33	111086	2
34	322297	2
35	322835	2
36	111090	2
37	① 111085	1
38	111053	2
39	② 300321	1
40	219848-01	1
41	223884	1
42	102556	1
43	95266	1
44	③ 215533-01	1
45	③ 110995	1
46	111054	3
47	224042	1
48	102164	1
49	① 300765	1
	② 300766	1
50	111065	4
51	322030	1
52	224023	1
53	224024	1
54	111065	5
55	224009	1
56	91117	2
57	300661	1
58	300482	1
59	215876	1
60	224224	1
61	300452	1
62	224022	1
63	224235	1
64	322210	1
65	111067	2
66	93469	1
67	111068	1
68	93018	1
69	FIGURE 3	
①	12400128-79	
②	12400128-82	
③	④⑤	

3



1	301133	1
2	300064	1
3	. 111069	1
4	. 105497	1
5	. 224246	1
6	. 224245	1
7	111061	2
8	224234	1
9	300361	1
10 ②	300372	1
11 ②	. 111074	1
12 ②	300014	1
13 ②	224919	4
14 ②	322140	1
15 ②	322234	1
16	111070	1
17 ②	302106	2
18 ②	300459	1
19 ①	300149	1
20	111054	4
21 ①	300979	1
22	. 300980	1
23	. 301135	1
24	. 300475	1
25	. 322027	1
26	. 300872	1
27	. 222869	1
28	. 218941	1
29	. 216792	1
30	. 322362	1
31	. 223357	2
32	. 322234	1
33	. 322140	1
34	. 300119	1
35 ②	300013	1
36	. 300618	1
37	. 300475	1
38	. 300872	1
39	. 222869	1
40	. 218941	1
41	. 216792	1
42	. 301134	1
43	. 224927	1
44	. 215533-01	1
45	. 223357	3
① 12400128-79		
② 12400128-82		

4



1	300651	1
2	. 322025	1
3	.. 224998	1
4	. 322626	1
5	. 300688	1
6	. 300736	1
7	301023	1
8	300429	1
9	. 218295	1
10	. 223407	1
11	. 211214	1
12	② 300317	1
13	. 224499	1
14	. 300626	1
15	.. 216682	2
16	.. 217935	2
17	① 224062	1
18	. 300626	1
19	.. 216682	2
20	.. 217935	2
21	216595	1
22	111102	1
23	300834	1
24	. 37106-10	1
25	. 322719	1
26	. 09075-99	1
27	. 13035-99	1
28	322344	1

① 12400128-79

② 12400128-82



Nom

LOCTITE

⊕ 8	111055	1 - 2	----
⊕ 11	111058	3 - 3.5	----
⊕ 17	111053	5 - 5.6	242
⊕ 32	322847	19 - 19.7	242
⊕ 38	111053	5 - 5.6	242
⊕ 46	111054	3.4 - 4	----
⊕ 50	111065	6 - 6.7	242
⊕ 54	111065	8 - 9	242
⊕ 68	93018	12.5 - 13.5	----
⊕ 13	224919	3.4 - 4	----